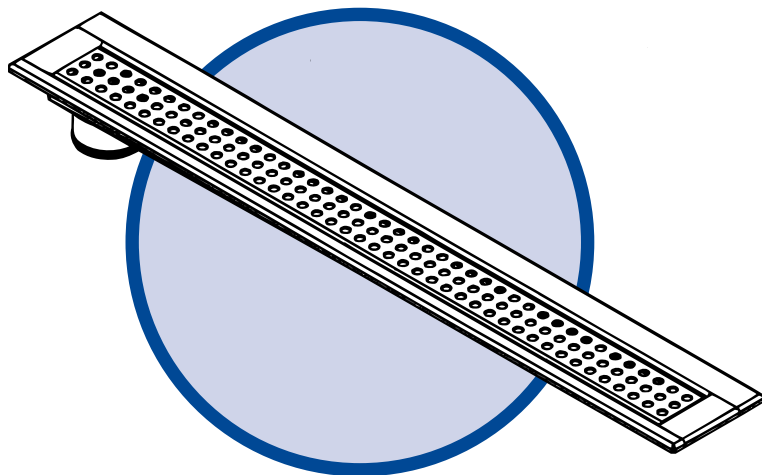


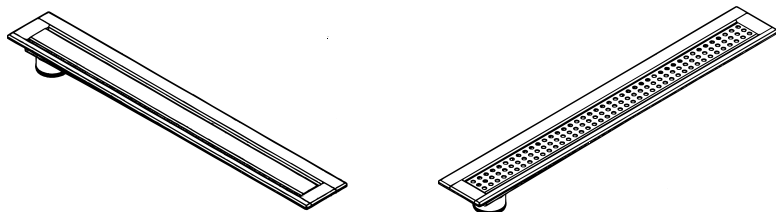


# BLÜCHER

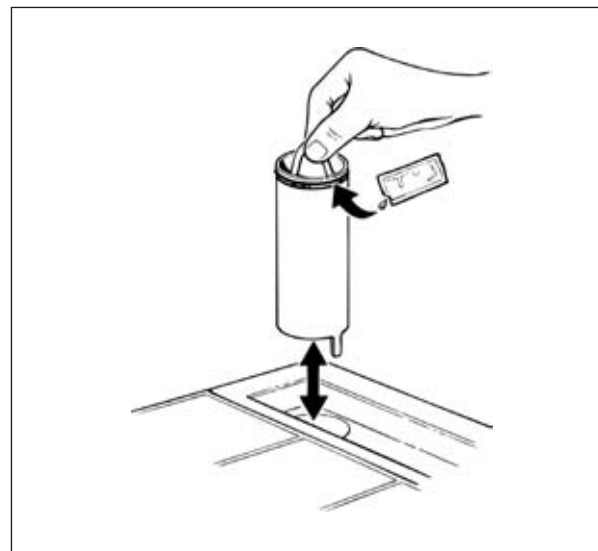
## INSTALLATION INSTRUCTIONS WATERLINE



No. 17x.xxx.xxx.2x



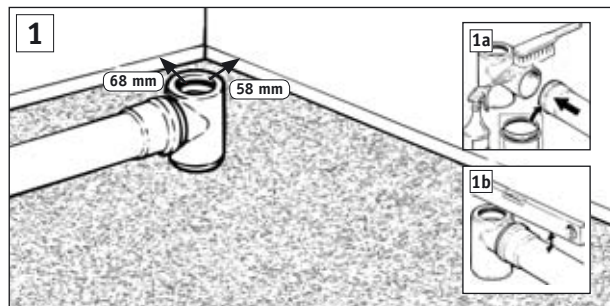
### INSTALLATION/REMOVAL OF WATER TRAP



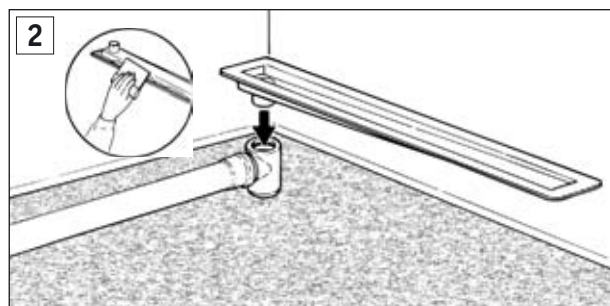
# BLÜCHER

Pugdalvej 1 · DK-7480 Vildbjerg  
Tel. +45 99 92 08 00 · Fax +45 97 13 33 50  
www.blucher.com · mail@blucher.dk

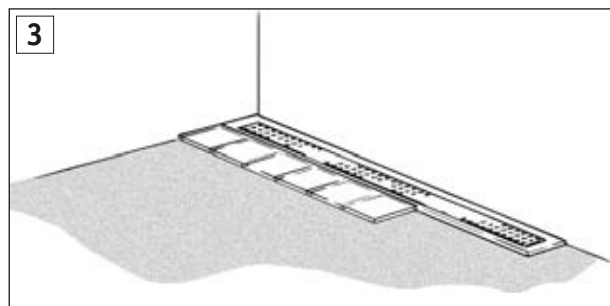
## INSTALLATION INSTRUCTIONS - WATERLINE



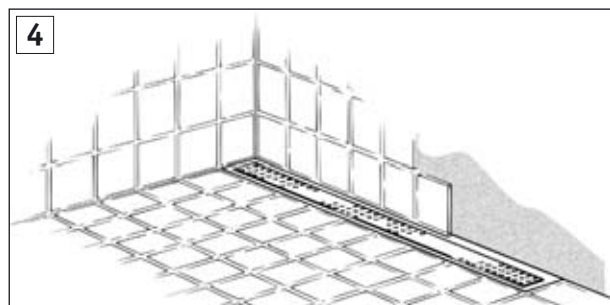
1. Embed the outlet pipe with water trap type 510.000.xxx in the structural concrete, placed in the left corner. Adjust the height as necessary.



2. Install the drain in the water trap and embed in concrete.

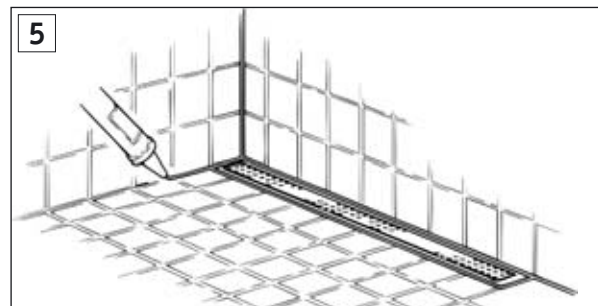


3. Lay the floor tiles with fall in one direction towards the channel.



4. Fit the wall tiles leaving space at the bottom of the wall for a joint between tiles and frame.

## INSTALLATION INSTRUCTIONS - WATERLINE



5. Apply flexible joint sealant between wall and frame and between floor and frame.